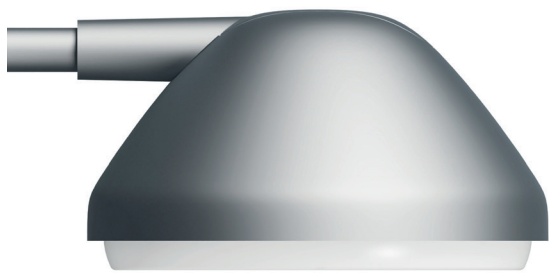


# WAY - SHOWING THE WAY

Design: AART designers



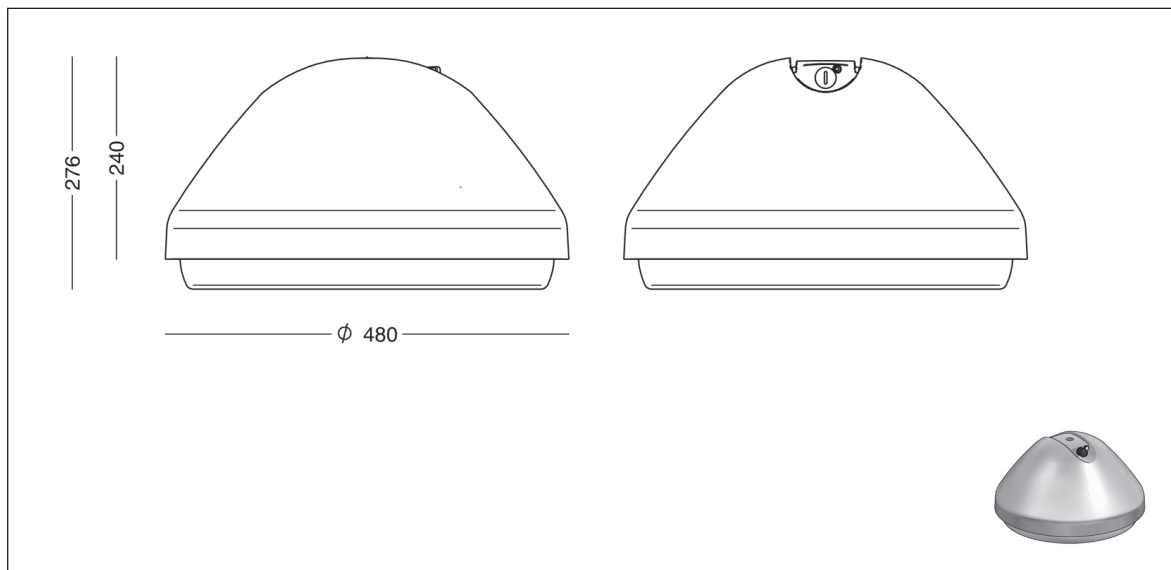
**WAY** is new in our range of street luminaires and is designed the Nordic way to avoid light pollution and glaring.

The flexible luminaire is available for top or side entry. It is made in cast aluminium with shade in clear, impact resistant PMMA (acrylate). The shade is parallel to the ground but has a protuberant, frosted edge, which will enhance optical guidance. Due to the unique design of the shade, glaring is minimized.

**WAY** is available with circular or rectangular LED boards with lense types for various applications. The luminaire fulfills European standards for street lighting.

# WAY - LED CIRCULAR WITH CAT LENSES

Design: AART designers



## Luminaire specification:

Material:	Cast aluminium
Finish:	Graphite grey: SW302G (close to RAL 9007) Silver grey: MW300D
Shade:	Clear, impact-resistant PMMA, coated on the edge
Mounting:	Top entry: 3/4" threaded tube
Connection:	In the pole The luminaire is delivered with lead: 2 off 2 m 2 x 2.5 mm <sup>2</sup> or 1 off 10 m 2 x 1 mm <sup>2</sup>
Classification:	IP66, class II
Impact resistance:	IK10
Corrosion class:	C4
Weight:	max 11 kg

## LED specification:

Circular LED:	Ø240, 64 diodes, CAT lenses
Operational life:	min. 100,000 hours at ta max 25°, L80B10
Temperature range:	-30 to +35° C
Colour temperature:	3000 or 4000 Kelvin
Colour rendering:	min 80 Ra
Colour accuracy:	4 steps SDCM
Luminous flux:	3000K: min 2240, max 6264 lm, CLO
Output ratio:	

## Driver specification:

Driver:	Xitanium Full Xi FP 75 W 0.2-0.7 A, programmable
Inrush current:	max 46 A (50% after 250 µs)
Operational input voltage:	150-264 Vac

Nominal voltage, AC: 220-240 Vac

Nominal voltage, DC: 186-250 Vdc

Operational input voltage: 165-275 Vdc

Nominal input frequency: 50-60 Hz

Operational input frequency: 45-66 Hz

Max preprotection: 16 A

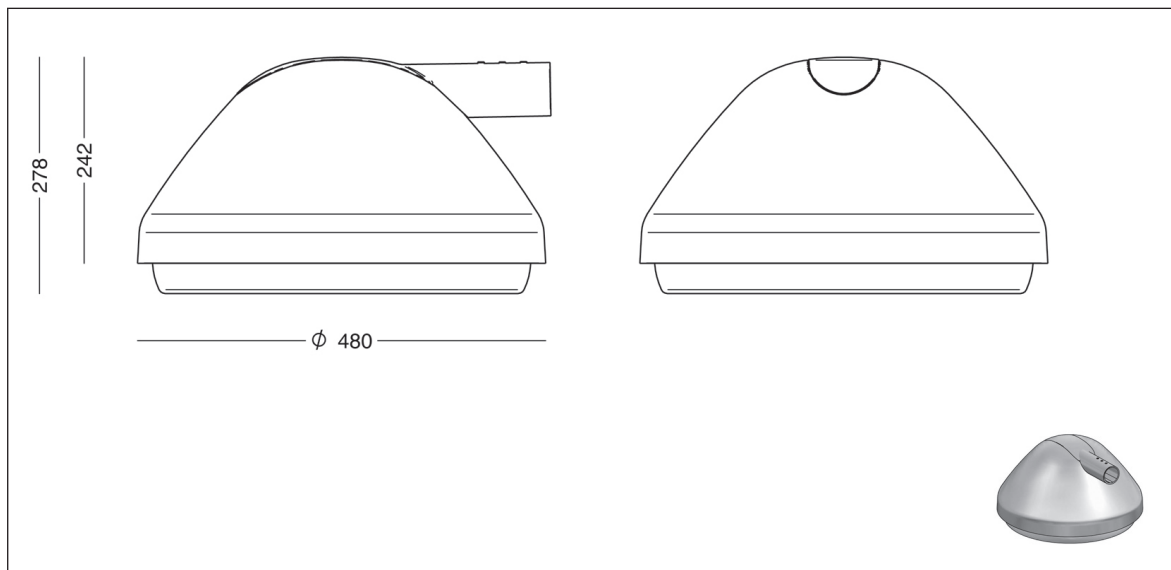
Surge protection: L/N-GND: 8 kV, L-N: 6 kV

Operational life: min 100,000 hours

Dimming:	8-100% in time intervals or DALI (4-conductor cable) Line switch, AmpDim
----------	--

# WAY - LED FASTFLEX DA, T3 LENSES

Design: AART designers



## Luminaire specification:

Material:	Cast aluminium
Finish:	Graphite grey: SW302G (close to RAL 9007) Silver grey: MW300D
Shade:	Clear, impact-resistant PMMA, coated on the edge
Mounting:	Side entry: $\varnothing$ 48 mm
Connection:	In the pole The luminaire is delivered with lead: 10.5 m $2 \times 1$ mm <sup>2</sup>
Classification:	IP66, class II
Impact resistance:	IK10
Corrosion class:	C4
Weight:	max 11 kg

## LED specification:

FastFlex LED:	FF 2x6 DA with T3 lenses for local roads, P, HS, and C classes, 3 modules
Operational life:	min. 100,000 hours at $t_a$ max 25°, L80B10
Temperature range:	-30 to +35° C
Colour temperature:	3000 or 4000 Kelvin
Colour rendering:	min 70 Ra, typically 75 Ra; 80 Ra optional
Colour accuracy:	4 steps SDCM
Luminous flux:	3000K: max 11,000 lm, CLO 4000K: max 12,000 lm, CLO
Output ratio:	

## Driver specification:

Driver:	Xitanium Full Xi FP 75 W 0.2-0.7 A, programmable
Inrush current:	max 46 A (50% after 250 $\mu$ s)
Operational input voltage:	150-264 Vac

Nominal voltage, AC: 220-240 Vac

Nominal voltage, DC: 186-250 Vdc

Operational input voltage: 165-275 Vdc

Nominal input frequency: 50-60 Hz

Operational input frequency: 45-66 Hz

Max preprotection: 16 A

Surge protection: L/N-GND: 8 kV, L-N: 6 kV

Operational life: min 100,000 hours

Dimming: 8-100% in time intervals or  
DALI (4-conductor cable)  
Line switch, AmpDim