

# Nyx 330 lantern

Design: Vilhelm Lauritzen Architects



NYX is a series of external luminaires for wall or column mounting. Nyx is the answer to today's demands for pleasant and well-defined light in urban areas.

Nyx 330 is available for post-top and wall mounting. Like the rest of the Nyx series, it comes in black, corten brown, and two grey colours suitable for galvanised standard columns. Made of cast silumin with frosted or opal-white polycarbonate shades, the luminaires are simple and safe and do not invite to vandalism.

The NYX luminaires are available with LED, and the shade edge being visible, it offers optical guidance.

**NYX 330** is suitable for mounting on columns from three to six meters. The single lantern can be used on any type of column with a top diameter of 60 mm. Adapter for 48 and 42 mm posts available. Nyx 330 is also available for mid-post mounting of more lanterns on a Ø60 mm cylinder.

Two or more lanterns can be mounted on each column. Lanterns two-by-two will be the solution for low columns - images can be found at [www.focus-lighting.dk](http://www.focus-lighting.dk).

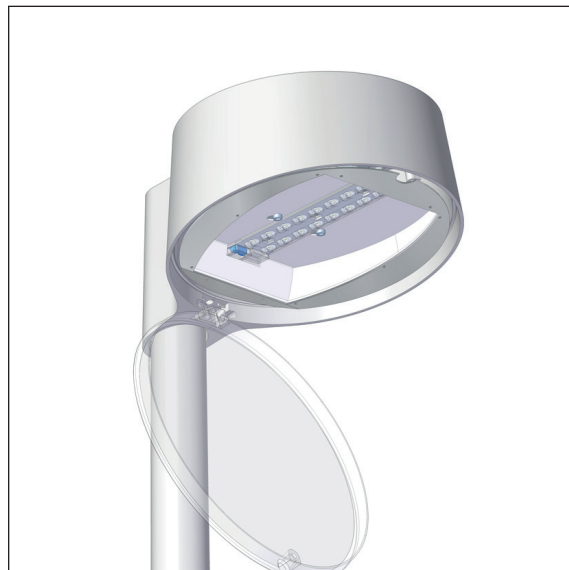
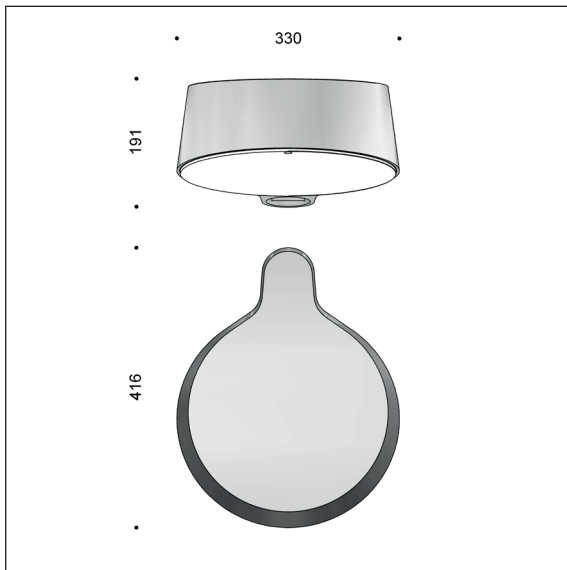
The Nyx 330 lantern can be mounted on a double arm, available in two sizes: 800 or 1600 mm. The standard version is in hot-dipped galvanised steel and can be powder coated in the same colours as the lanterns.



**FOCUS-LIGHTING**

# Nyx 330 - FastFlex + T3

Design: Vilhelm Lauritzen Architects



## Luminaire specs:

**Material:** Cast aluminium  
**Finish:** Graphite grey: YW355F  
 Silver grey: Y2370I  
 Black: Noir 900 Sablé, SN351F or RAL 9005 g30  
 Corten brown: YX355F  
**Diffuser:** Polycarbonate, clear  
**Mounting:** On post w. 60 mm top diameter  
 Adapter for 48 and 42 mm columns - see below  
 Available for mid-column mounting for multiple lanterns on Ø60mm columns.  
**Connection:** In the pole  
 The luminaire is supplied with 5.5 m lead 2x1 mm<sup>2</sup>  
**Classification:** IP65, class II  
**Corrosion class:** C4  
**Impact class:** IK10  
**Weight:** 8 kg  
**Wind sweeping area:** 0.053 m2 (laterally)

## Lamp- and driver specs:

**FastFlex LED:** FF-DA, T3, for local roads, P, HS, and C classes  
**Service life:** min 120,000 hours at ta max 25°, L80B10  
**Temperature range:** -30 to +35° C  
**Luminous power:** 3000K: 1600-4000 lm, CLO  
 4000K: 1700-4200 lm, CLO  
**Colour temperature:** 3000 or 4000 Kelvin  
**Colour rendering:** min 70 Ra, typically 75 Ra, 80 Ra optional  
**Colour accuracy:** 4 Steps SDCM  
**Intensity class:** G\*3  
**Output ratio:** 87.5 per cent  
**Driver:** Xitanium Full Xi FP 40 W 0.2-0.7 A  
**Inrush current:** max 22 A (50% after 290 µs)  
**Nominal voltage, AC:** 220-240 Vac  
**Operational input voltage, AC:** 150-264 Vac  
**Nominal voltage, DC:** 186-250 Vdc  
**Operational input voltage, DC:** 165-275 Vdc  
**Nominal input frequency:** 50-60 Hz  
**Operational input frequency:** 45-66 Hz  
**Max pre-protection:** 16 A  
**Surge protection:** L/N-GND: 10 kV, L-N: 6 kV, (SR driver: 8 kV)  
**Service life:** min 100,000 hours  
**Dimming/control:** Programming range 15-100 per cent or DALI (4-conductor), Line switch, AmpDim  
 Alternatively: DALI via Zhaga book 18 base

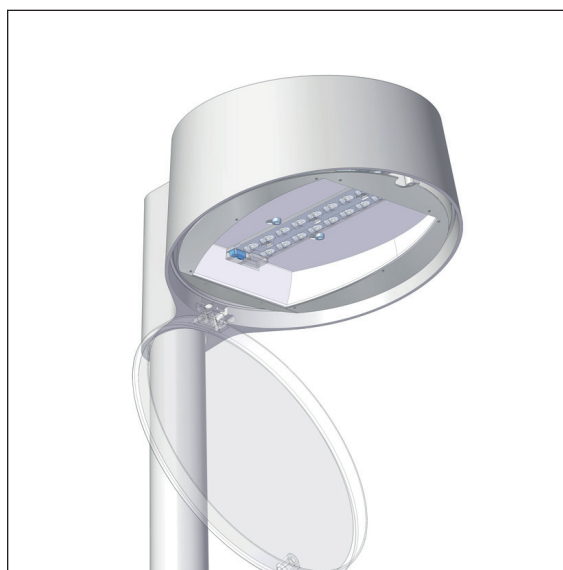
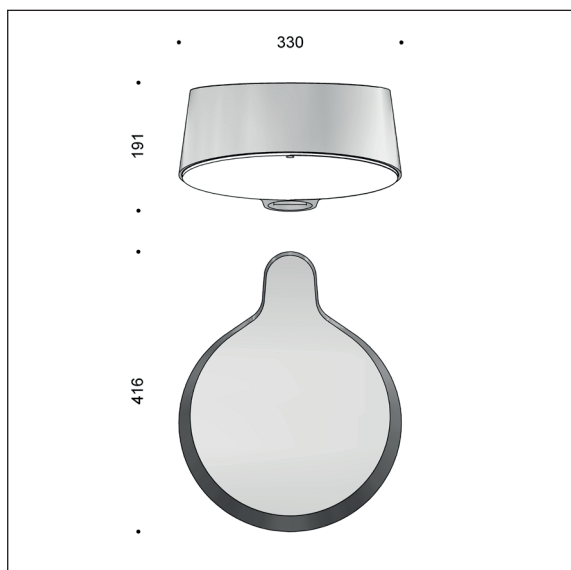
## Product codes:

NYX 330 FastFlex with T3 lenses, programmable driver										
Item No.	Lamp type		Select colour, colour temperature, etc. in the table below.							
8914-	FF-DA, T3, max 4200 lm, programmable, 5.5 m lead									
Combine with:	Colour	Colour temperature		Dimming/control		Protection class		Mounting		
	3	black RAL 9005	730	3000 K, 70 Ra	empty	programmable	empty	class II	empty	post top
	4	graphite grey	740	4000 K, 70 Ra	D	Dali	J	class I	G	mid-post
	9	silver grey	827*	2700 K, 80 Ra	F	phase, Line Switch				
	17	corten brown	830*	3000 K, 80 Ra	Z	voltage, AmpDim				
	66	black noir 900	840*	4000 K, 80 Ra	R	base with SR driver, Zhaga book 18				
			* Longer lead times		RC	base with SR driver, City Touch				
Options										
06034	Lamellas for the shade									
1712-1	Adapter for 48 or 42 mm post									

Find our sales partner in your country under Contacts at [www.focus-lighting.dk](http://www.focus-lighting.dk)

# Nyx 330 - FastFlex + SCL

Design: Vilhelm Lauritzen Architects



## Luminaire specs:

**Material:** Cast aluminium  
**Finish:** Graphite grey: YW355F  
 Silver grey: Y2370I  
 Black: Noir 900 Sablé, SN351F or RAL 9005 g30  
 Corten brown: YX355F  
**Diffuser:** Polycarbonate, clear  
**Mounting:** On post w. 60 mm top diameter  
 Adapter for 48 and 42 mm columns - see below  
 Available for mid-column mounting for multiple lanterns on Ø60mm columns.  
**Connection:** In the pole  
 The luminaire is supplied with 5.5 m lead 2x1 mm<sup>2</sup>  
**Classification:** IP65, class II  
**Corrosion class:** C4  
**Impact class:** IK10  
**Weight:** 8 kg  
**Wind sweeping area:** 0.053 m2 (laterally)

## Lamp- and driver specs:

**FastFlex LED:** FF-DA, SCL, pedestrian and cycling roads  
**Service life:** min 120,000 hours at ta max 25°, L80B10  
**Temperature range:** -30 to +35° C  
**Luminous power:** 3000K: 1600-4000 lm, CLO  
 4000K: 1700-4200 lm, CLO  
**Colour temperature:** 3000 or 4000 Kelvin  
**Colour rendering:** min 70 Ra, typically 75 Ra, 80 Ra optional  
**Colour accuracy:** 4 Steps SDCM  
**Intensity class:** G\*3  
**Output ratio:** 87.5 per cent  
**Driver:** Xitanium Full Xi FP 40 W 0.2-0.7 A  
**Inrush current:** max 22 A (50% after 290 µs)  
**Nominal voltage, AC:** 220-240 Vac  
**Operational input voltage, AC:** 150-264 Vac  
**Nominal voltage, DC:** 186-250 Vdc  
**Operational input voltage, DC:** 165-275 Vdc  
**Nominal input frequency:** 50-60 Hz  
**Operational input frequency:** 45-66 Hz  
**Max pre-protection:** 16 A  
**Surge protection:** L/N-GND: 10 kV, L-N: 6 kV, (SR driver: 8 kV)  
**Service life:** min 100,000 hours  
**Dimming/control:** Programming range 15-100 per cent or DALI (4-conductor), Line switch, AmpDim  
 Alternatively: DALI via Zhaga book 18 base

## Product codes:

NYX 330 FastFlex with SCL lenses, programmable driver										
Item No.	Lamp type	Select colour, colour temperature, etc. in the table below.								
8913-	FF-DA, SCL, max 4200 lm, programmable, 5.5 m lead									
Combine with:	<b>Colour</b>	<b>Colour temperature</b>		<b>Dimming/control</b>		<b>Protection class</b>		<b>Mounting</b>		
	3 black RAL 9005	730	3000 K, 70 Ra	empty	programmable	empty	class II	empty	post top	
	4 graphite grey	740	4000 K, 70 Ra	D	Dali	J	class I	G	mid-post	
	9 silver grey	827*	2700 K, 80 Ra	F	phase, Line Switch					
	17 corten brown	830*	3000 K, 80 Ra	Z	voltage, AmpDim					
	66 black noir 900	840*	4000 K, 80 Ra	R	base with SR driver, Zhaga book 18					
			* Longer lead times	RC	base with SR driver, City Touch					
<b>Options</b>										
06034	Lamellas for the shade									
1712-1	Adapter for 48 or 42 mm post									

Find our sales partner in your country under Contacts at [www.focus-lighting.dk](http://www.focus-lighting.dk)