

# Sky Bollard

Design: AART designers



In cooperation with AART designers we have developed **SKY**, new park and bollard luminaires in a contemporary design. The light source, LED, is placed at the bottom of the luminaire, and the indirect light, reflected by the arched roof, is soft and pleasant.

The bollard is light and elegant due to the slim and unbroken lines. Made of hot-dipped galvanised steel, the bollard is sturdy and will resist the daily wear and tear.

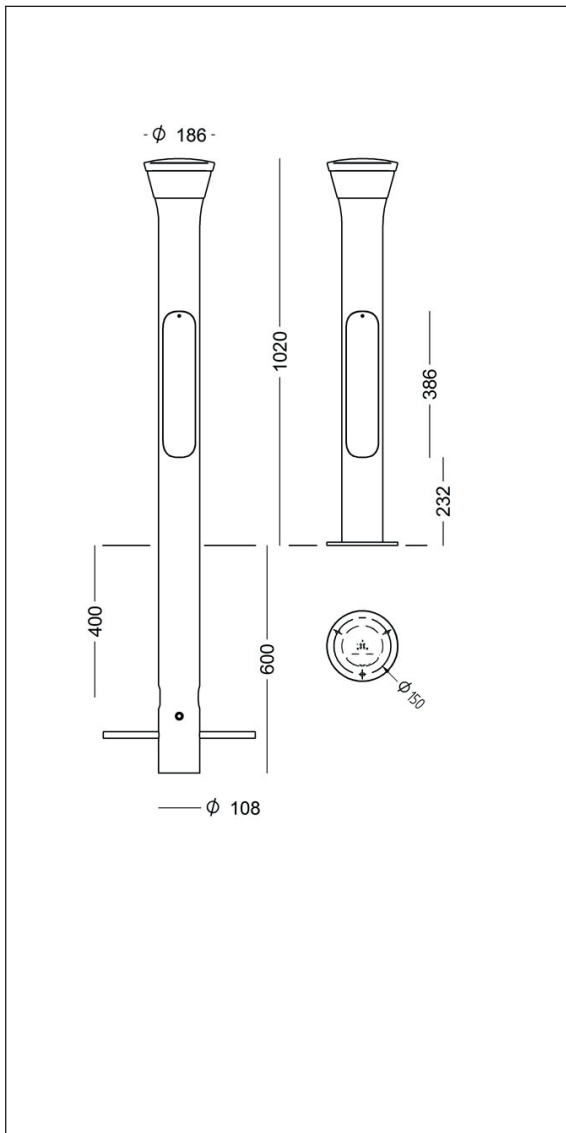


Find our sales partner in your country under Contacts at [www.focus-lighting.dk](http://www.focus-lighting.dk)

**FOCUS-LIGHTING**

# Sky Bollard

Design: AART designers



## Luminaire specification:

Material:	Bollard in hot-dipped galvanised steel, roof top in cast aluminium.
Coating:	Graphite grey: YW355F Silver grey: Y2370I Corten brown: YX355F Black: Noir 900 Sablé SN351F The galvanised bollard is available without coating.
Screen:	Clear long-life polycarbonate
Mounting:	With rooted or flanged base
Connection:	Max 3 cables into terminal block with 2A fuse, class II: 4 x 16 mm <sup>2</sup> , class I: 5 x 16 mm <sup>2</sup>
Classification:	IP66, class II; use code for class I
Impact resistance:	IK10
Weight:	ca. 10 kg
Lamp type:	LED

## Lamp and driver specification:

LED:	Bridgelux V8
Operational life:	min 100,000 hours at ta max 25°C, L80B10
Total consumption:	9 or 12 W (350 or 500 mA)
Colour temperature:	2700, 3000, or 4000 Kelvin
Colour rendering:	min 90 Ra
Output ratio:	57 per cent
Driver:	Helvar 350 or 500 mA, -40°C
Operational life:	min 50,000 hours Dimmable upon request

## Product codes

Sky Bollard LED							
Item No.	Mounting	Lamp type: Bridgelux V8					
7830-	rooted base	9 W, 350 mA					
7836-	flanged base	9 W, 350 mA					
7831-	rooted base	12 W, 500 mA					
7837-	flanged base	12 W, 500 mA					
Select colour, colour temperature, and dimming in the table below.							
To be combined with:	Colour	Colour temperature		Dimming		Protection class	
	4 graphite grey	927	2700 K, 90 Ra	V	1-10 V	empty	class II
	9 silver grey	930	3000 K, 90 Ra	D	Dali	J	class I
	7 silver grey/galvanised	940	4000 K, 90 Ra				
	17 corten brown						
	66 noir 900						
Example of product code:	7831-4930J = Sky Bollard for embedment, graphite grey, 12 W LED, 3000 K 90 Ra, class I						