

Sky Wall

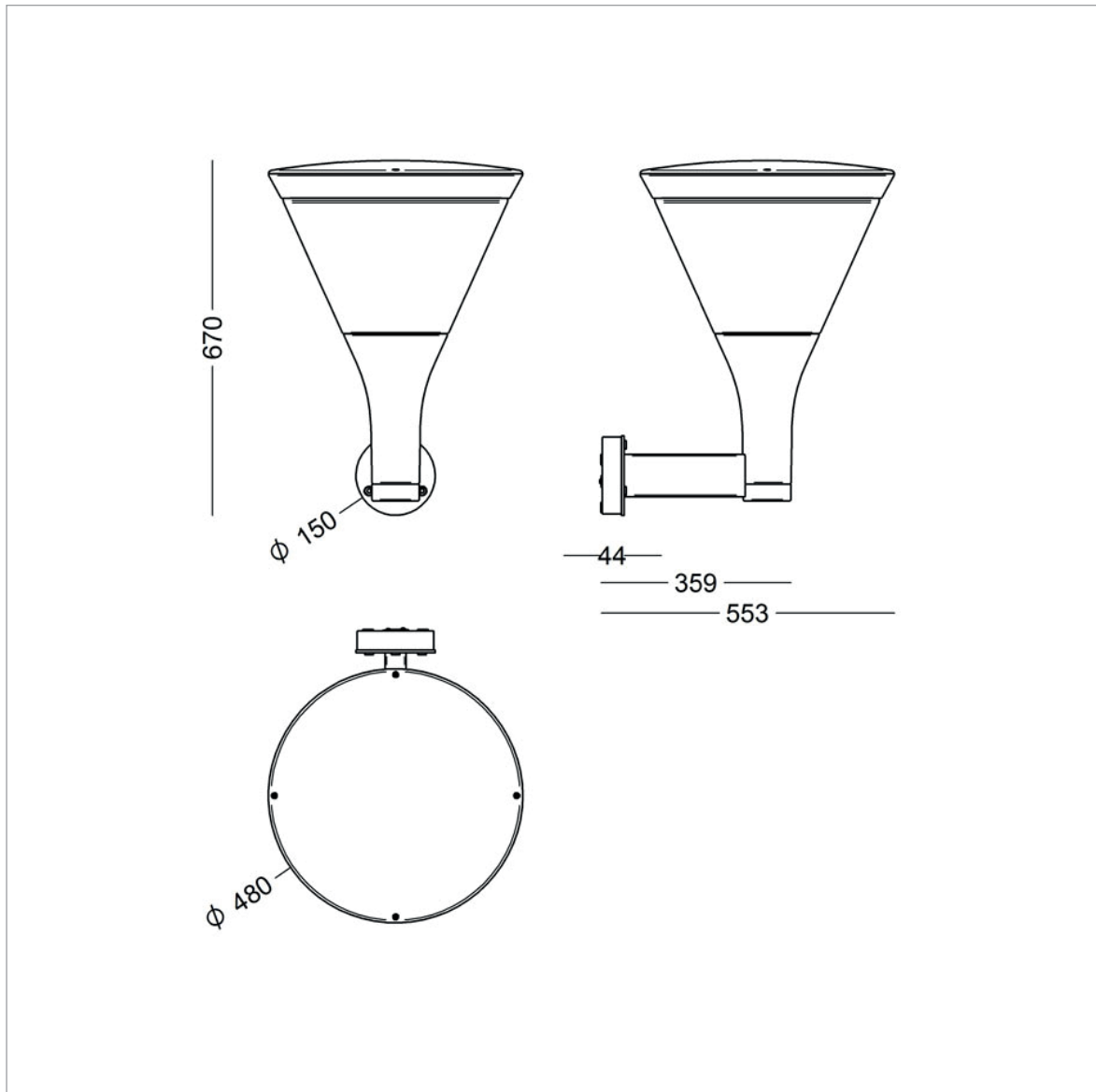
Design: AART designers



In cooperation with AART designers we have developed **SKY**, new park, wall, and bollard luminaires in Scandinavian design.

The light source, LED, is placed at the bottom of the luminaire, and the indirect light, reflected by the arched roof, is pleasant and non-glaring.

The rotational light from **SKY** creates a safe environment where also surroundings are illuminated. Waste light is limited by the roof plate.



Sky Wall

Design: AART designers

Luminaire specification:

Material:	Cast aluminium
Finish:	Graphite grey: YW355F Silver grey: Y2370I Corten brown: YX355F Black: Noir 900 Sablé SN351F
Diffuser:	Clear polycarbonate with UV-resistant acrylic
Luminous intensity class:	G2
Glare index class:	D6
Mounting:	On wall
Connection:	5 x 2,5 mm ² into terminal block
Classification:	IP66, class II, use code for class I
Impact resistance:	IK10
Corrosion resistance:	C4
Weight:	9.7 kg
Wind sweeping area:	0.143 m ² (laterally)
Lamp type:	LED, exchangeable

LED and driver specification:

LED:	Bridgelux VERO 18
Service life:	min 100,000 hours at ta max 25°C L70B10
Colour temperature:	2700, 3000, or 4000 Kelvin
Colour rendering:	min 80 Ra, typically 85 Ra
Luminous power:	2700K: 1100-3450 lm, CLO 3000K: 1175-3650 lm, CLO 4000K: 1200-3750 lm, CLO
Output ratio:	74%
Driver:	Xitanium Full Xi FP 40 W 0.2-0.7 A programmable
Inrush current:	max 27 A (50% after 265 µs)
Surge protection:	L/N-GND: 10 kV L-N: 6 kV
Service life:	min 100,000 hours
Dimming:	Programming range 15-100% DALI (4-conductor cable) phase (Line switch) voltage (AmpDim)

Product codes

SKY Wall LED	
Item No.	Lamp type
6834-	LED Bridgelux VERO 18, 1100-3750 lm, programmable
Combine with:	Colour
	4 graphite grey
	9 silver grey
	17 corten brown
	66 noir 900
Example Product code:	6834-9830J = Sky Wall LED, silver grey, 3000 K 80 Ra, max 3650 lm, programmable, class I
Options	Colour temperature
8006-	Screen for asymmetrical light - powder-coated aluminium - select colour above.