

# Way - Showing the Way

Design: AART designers



**WAY** is new in our range of street luminaires and is designed the Nordic way to avoid light pollution and glaring.

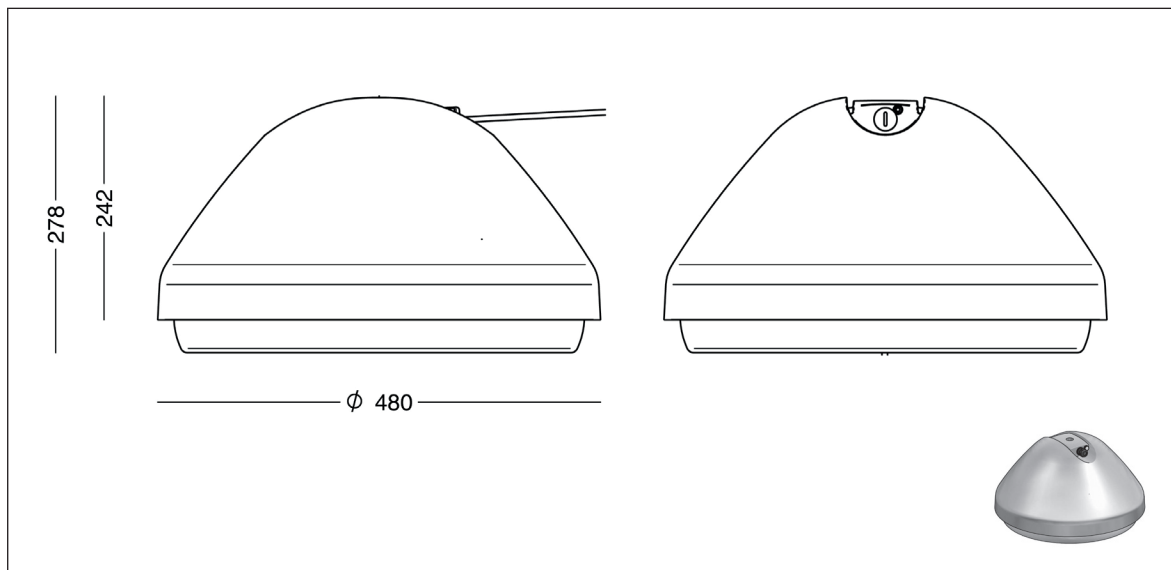
The flexible luminaire is available for top or side entry. It is made in cast aluminium with shade in clear, impact resistant PMMA (acrylate). The shade is parallel to the ground but has a protuberant, frosted edge, which will enhance optical guidance. Due to the unique design of the shade, glaring is minimized.

**WAY** is available with circular or square LED boards with lens types for various applications. The luminaire fulfills European standards for street lighting.

**WAY** is available as park luminaire with round board without lenses. In this case a diffuser is included to ensure soft and homogeneous light.

# Way - top entry - circular LED

Design: AART designers



## Luminaire specification:

Material:	Cast aluminium
Finish:	Graphite grey: YW355F Silver grey: Y2370I Corten brown: YX355F Black: Noir 900 Sablé, SN351F
Shade:	Clear, impact-resistant PMMA, coated on the edge
Mounting:	Top entry: G3/4" threaded pipe
Connection:	The luminaire is delivered with lead: 2 leads at 2 m, 1 x 2.5 mm <sup>2</sup> or 1 lead at 10 m, 2 x 1 mm <sup>2</sup>
Classification:	IP66, class II
Impact resistance:	IK10
Corrosion class:	C4
Weight:	max 11 kg
Wind sweeping area:	0.11 m <sup>2</sup> (laterally)

## LED specification:

Circular LED:	Ø240, 64 diodes, CAT lenses
Operational life:	min. 100,000 hours at ta max 25°, L80B10
Temperature range:	-30 to +35° C
Colour temperature:	3000 or 4000 Kelvin
Colour rendering:	min 80 Ra
Colour accuracy:	4 steps SDCM
Luminous flux, 9801:	3000K: min 2100, max 6400 lm, CLO 4000K: min 2300, max 7000 lm, CLO
Luminous flux, 9802:	3000K: min 3000, max 8800 lm, CLO 4000K: min 3300, max 9700 lm, CLO

## Driver specification:

Driver for 9801:	Xitanium Full Xi FP 75 W 0.2-0.7 A, programmable
Inrush current:	max 46 A (50% after 250 µs)
Driver for 9802:	Xitanium Full Xi FP 150 W 0.3-1.0 A, programmable
Inrush current:	max 53 A (50% after 300 µs)

Operational input voltage: 150-264 Vac

Nominal voltage, AC: 220-240 Vac

Nominal voltage, DC: 186-250 Vdc

Operational input voltage: 165-275 Vdc

Nominal input frequency: 50-60 Hz

Operational input frequency: 45-66 Hz

Max preprotection: 16 A

Surge protection: L/N-GND: 10 kV, (SR driver: 8 kV)  
L-N: 6 kV

Operational life: min 100,000 hours

Dimming/control: 8-100% in time intervals or  
DALI (4-conductor cable), Line switch, AmpDim

Alternatively: DALI via Zhaga book 18 socket

# Way - top entry - product codes

Design: AART designers



**WAY top entry**  
Example product code:  
9801-48402: luminaire, graphite grey



**WAY top entry, SR socket**  
Example product code:  
9801-48402R: luminaire with SR socket, graphite grey



**WAY top entry, single wire hanger**  
Example product code:  
9801-48402: luminaire, graphite grey  
1715-0: wire hanger, stainless steel





**WAY top entry, SR socket, single wire hanger**  
Example product code:  
9801-48402R: luminaire with SR socket, graphite grey  
1716-0: wire hanger, stainless steel



**WAY top entry, SR socket, fittings for suspension in SR bracket**  
Example product code:  
9801-48402R: luminaire with SR socket, graphite grey  
1717-0: fittings for G3/4" thread

## Product codes:

WAY for top entry, circular LED board with CAT lenses												
Item No.	Lamp type		Select colour, colour temperature etc. in the table below.									
9801-	LED Ø240, 64 diodes, CAT lenses, max 7000 lm, programmable											
9802-	LED Ø240, 64 diodes, CAT lenses, max 9700 lm, programmable											
Combine with:	Colour	Colour temperature		Lead		Dimming/control		Protection class				
	4	graphite grey	830	3000 K, 80 Ra		2	2 off 2 m 1x2.5 mm2		empty	programmable	empty	class II
	9	silver grey	840	4000 K, 80 Ra		10	1 off 10 m 2x1 mm2		D	Dali	J	class I
	17	corten brown							F	phase (Line switch)		
	66	noir 900							R	socket incl. SR driver, Zhaga book 18		
									RC	socket incl. SR driver, City Touch		
Example:	9801-98402 = WAY for top entry, circular board with CAT lenses, max 7000 lm, silver grey, 4000 K 80 Ra, 2 m lead											
Options:												
1715-0	Hanger for suspension in single wire 											
1716-0	Hanger for suspension in single wire, Way with SR socket 											
1717-0	Fittings for top entry of Way with SR socket, G3/4" thread 